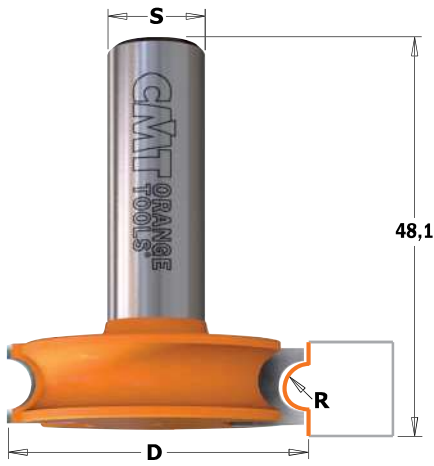
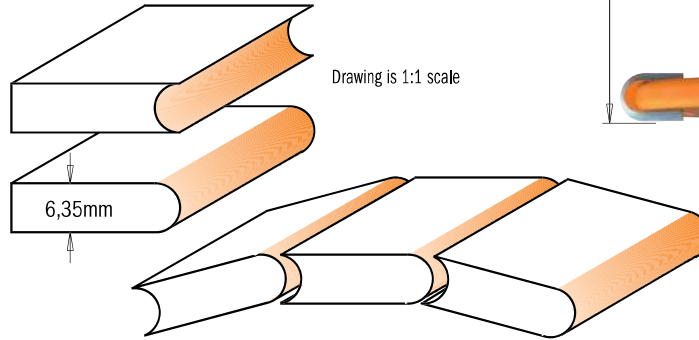


## Flute & Bead Set



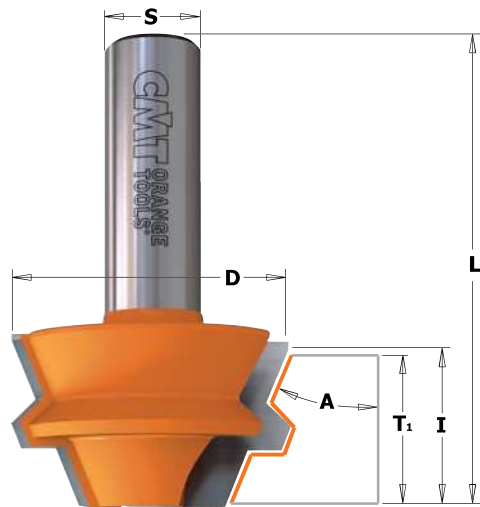
### 8/955.701

This perfectly mated CMT set is ideal for making wooden canoe slats and hot tub enclosures. The cutting edges in tungsten carbide stay sharp even after cutting large amounts of stock. The anti-kickback design ensures that you work safely. Use both the flute and the bead bits for 6,35mm (1/4") slats as shown below.



R mm	D mm					ORDER NO. S=Ø12mm	ORDER NO. S=Ø12,7mm
3,2	38		5			<b>955.701.11</b>	<b>855.701.11</b>

## Lock Miter Set

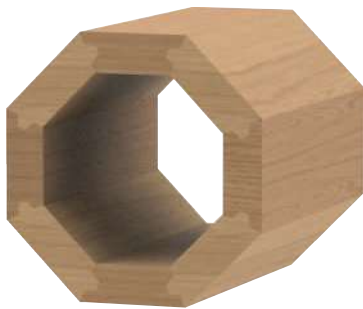
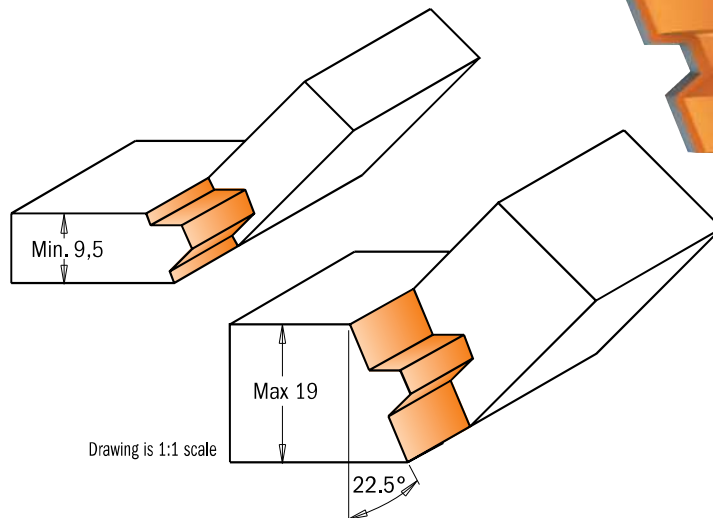


### 8/955

Use this pair of bits to produce octagonal shaped boxes and popular corner cabinetry for kitchens, kitchen islands, entertainment centres and corner hutches.

This 22,5° Lock Miter set provides a strong tight joint even at 45° angles.

After the joints are machined, they can be glued and assembled or simply clamped by using strapping tape.



D mm	I mm	A	T <sub>1</sub> mm	L mm		ORDER NO. S=Ø8mm	ORDER NO. S=Ø12,7mm
37,3	22,2	22,5°	9,5 ÷ 19	60,3	5	<b>955.005.11</b>	<b>855.505.11</b>